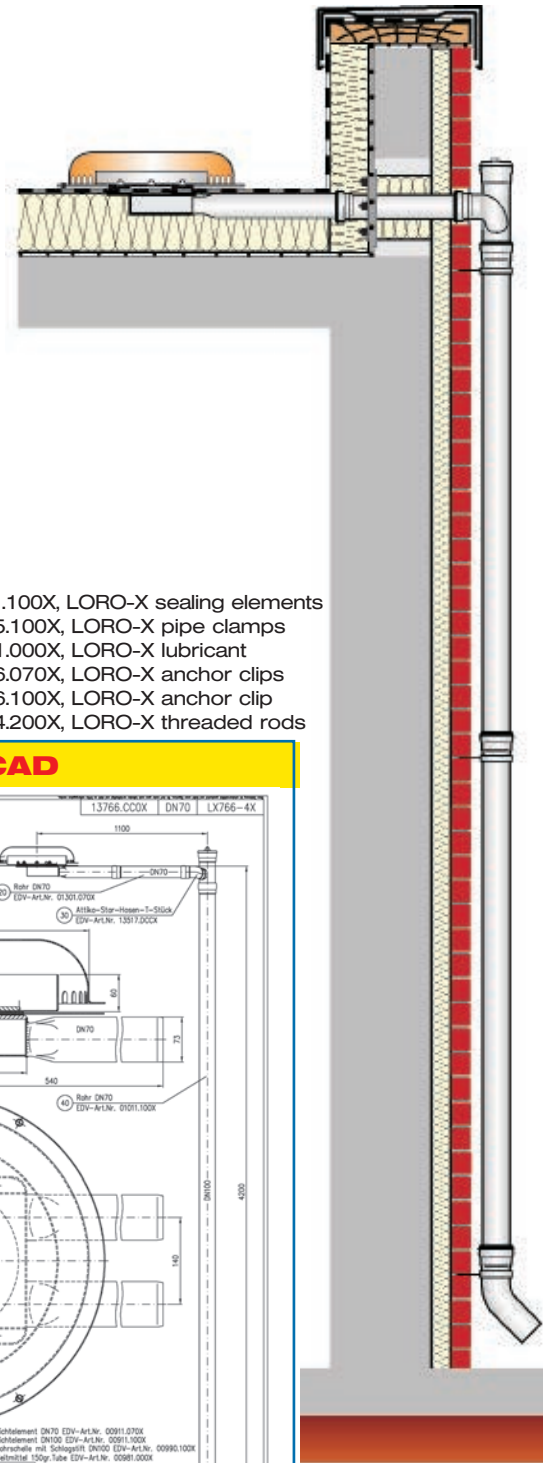
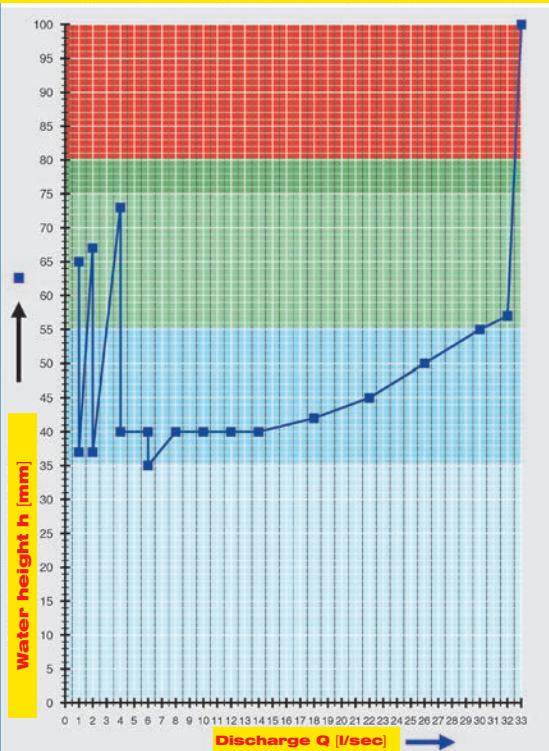
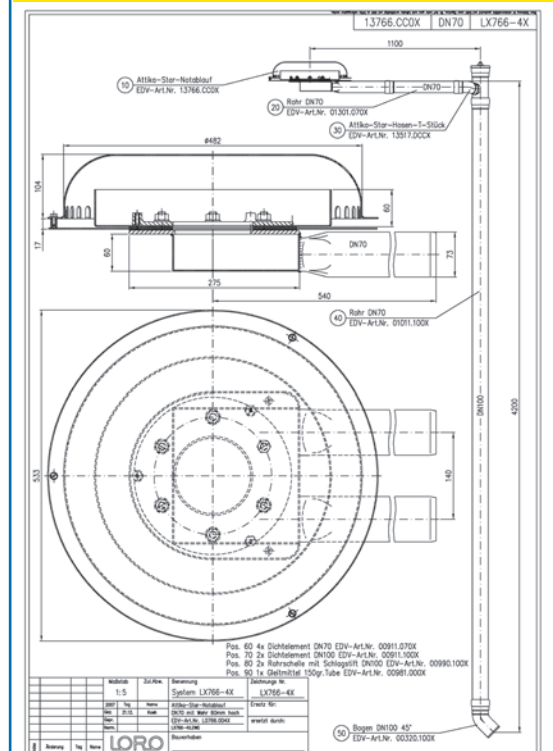


Specification sheet LX 766
**Parapet drainage system
Series 93 ATTIKASTAR®**
Emergency drainage
Siphonic flow
Silent Power

Discharge rate:	32,0 l/sec
Water height:	75 mm
Roof penetration:	55 mm
Diameter:	DN 100
LX-Number:	LX 766
Weir height:	60 mm
Drain:	not ventilated
Downpipe:	not ventilated
Downpipe height:	min 4,2 m
Drainage:	on floor

LX 766 Piece list

- | | |
|--|--|
| 1 x Art.-No. 13766.CC0X, ATTIKASTAR® parapet emergency drain | 2 x Art.-No. 00911.100X, LORO-X sealing elements |
| 2 x Art.-No. 01301.070X, LORO-X pipe with one socket | 2 x Art.-No. 00975.100X, LORO-X pipe clamps |
| 1 x Art.-No. 13228.070X, LORO-sliding flange | 1 x Art.-No. 00981.000X, LORO-X lubricant |
| 1 x Art.-No. 13517.DCCX, LORO-ATTIKASTAR® Y-shaped joint | 4 x Art.-No. 00806.070X, LORO-X anchor clips |
| 1 x Art.-No. 01011.100X, LORO-X pipe with one socket | 1 x Art.-No. 00806.100X, LORO-X anchor clip |
| 1 x Art.-No. 00320.100X, LORO-X bend | 2 x Art.-No. 09604.200X, LORO-X threaded rods |


hQ - Head-Discharge curve

Systempower
CAD

Systemshape

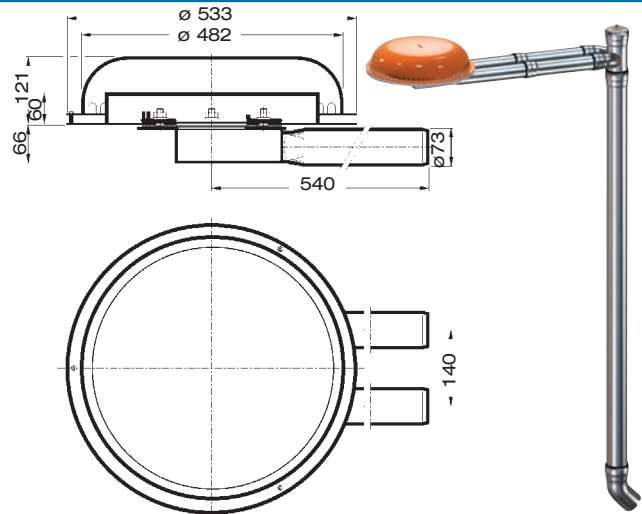
Water height	mm	5	10	15	20	25	30	35	40	45	50	55	60	65	70	75
Discharge	l/sec								14	22	26	30	32	32	32	32
Silent Power																

LORO-ATTIKASTAR® Parapet emergency drainage

LX766-4X

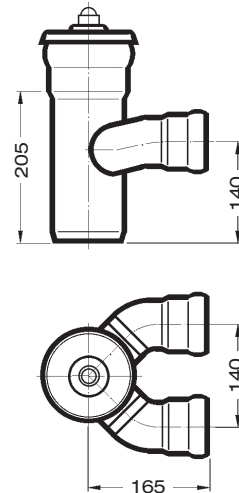
drain article No. 13766.CC0X
Weight: 15,4 kg

with clamping flange
for bituminous and plastic
roofing sheets



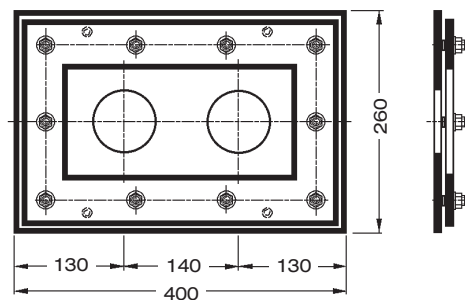
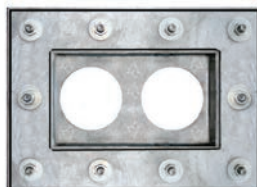
Y-shaped joint, with end plug, for LORO-ATTIKASTAR® siphonic parapet drainage systems

DN 100/70/70, made of hot-dip galvanised steel, additionally coated on the inside, article No. 13517.DCCX
Weight: 2,9 kg



sliding flange for LORO-ATTIKASTAR® siphonic parapet drainages systems

with pre-assembled connecting sleeve for bituminous vapor barriers or plastic roofing sheets, made of hot-dip galvanised steel, including fastening screws, article No. 13228.070X
Weight: 5,1 kg



Please remember: For siphonic roof-drainage systems it is necessary to use only original LORO-X pipes and fittings to get the mentioned discharge power! Mixing or changing components of the system may lower the discharge rate! The minimum downpipe length is 4,2m to get the full siphonic power. If the Drain and downpipe is installed by different people (f.e. roofer and plumber) make sure that the system is built as described in data-sheet.

Heat tracing: Lorowerk recommends to check all drains and pipes with regard to their frost-sensibility. Where necessary, these parts should be upgraded with heat tracing.